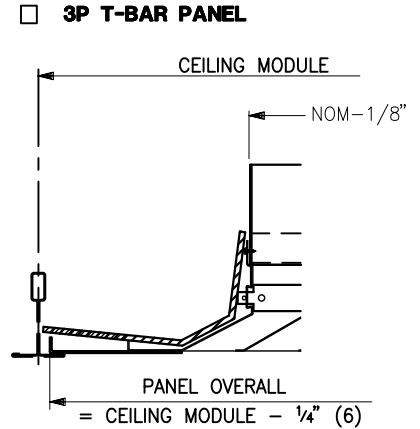
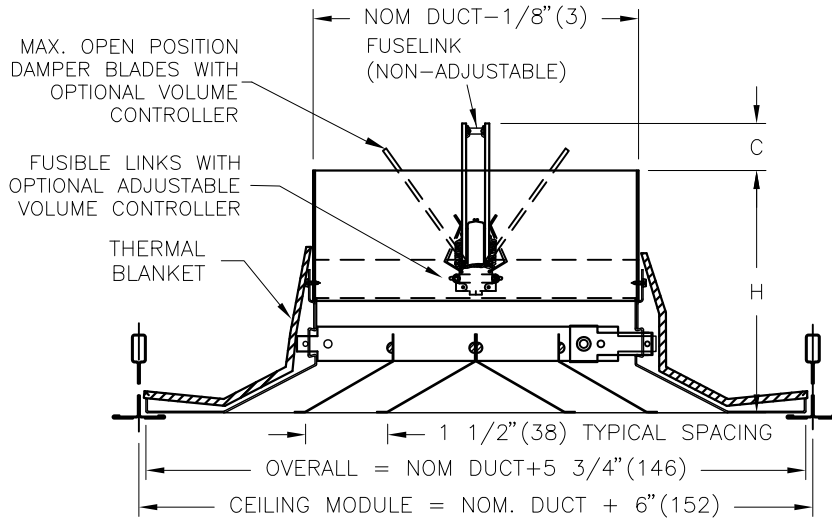


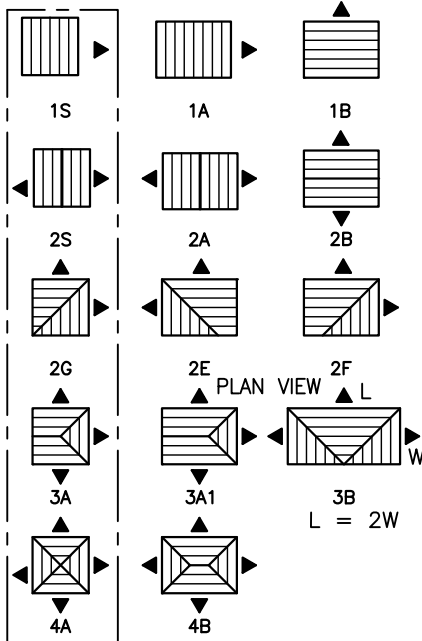
SMD-FR MODULAR FIRE RATED DIFFUSER



AVAILABLE DIFFUSER SIZE

CEILING MODULE	BORDER STYLE 36		3P T-BAR LAY-IN PANEL OPTION	
	SQUARE NECK	ROUND NECK	SQUARE NECK	ROUND NECK
12X12 (305X305)	6X6 (152X152)	6 (152)	NA	NA
24X12 (610X305)	18X6 (457X152)	6 (152)	NA	NA
24X24 (610X610)	18X18 (457X457)	6,8,10,12,14,15 (152,203,254,305,356,381)	6X6,9X9,12X12,15X15 (152X152,229X229,305X305,381X381)	6,8,10,12,14,15 (152,203,254,305,356,381)

AVAILABLE CORE STYLES:



PANEL OPTION AVAILABLE IN SQUARE CORE STYLES ONLY

MATERIAL:

- STEEL CONSTRUCTION
- CEILING RADIATION DAMPER: GALVANIZED STEEL, BUTTERFLY TYPE.
- THERMAL BLANKET: NON ASBESTOS

FINISH:

- B12 WHITE (OPTIONAL FINISHES AVAILABLE)

OPTION:

- ADJUSTABLE VOLUME CONTROLLER (ALLEN KEY ADJUSTABLE)
- 165°F (74°C) FUSIBLE LINK (STANDARD)
- 212°F (100°C) FUSIBLE LINK

NOTE:

- FIRE RATED 3 HOUR.
- UL CLASSIFIED FIRE RATED CEILING DIFFUSER ASSEMBLY. LISTED IN UNDERWRITERS LABORATORIES FIRE RESISTANCE DIRECTORY.
- ULC CLASSIFIED FIRE RATED CEILING DIFFUSER ASSEMBLY. LISTED IN UNDERWRITERS OF CANADA LABORATORIES LIST OF EQUIPMENT AND MATERIALS.
- DIRECTIONAL CORE REMOVABLE AT DIFFUSER FACE
- DUCT: STEEL OR FLEXIBLE DUCT CONNECTIONS (BY OTHERS) AS PER FIRE RATED DESIGN REQUIREMENTS.
- INSTALLATION INSTRUCTIONS: 228792 OR FOR PANEL SEE SUBMITTAL 233667
- FIRE RATED DIFFUSERS ARE TO BE INSTALLED IN FIRE RATED T-BAR APPLICATIONS ONLY.

INLET	H
SQ. INLET	4" (102)
ROUND INLET	6 1/2" (165)
SQ. C/W VOL. CONTROL	4 3/4" (121)
RND.C/W VOL. CONTROL	6 1/2" (165)

ROUND NECK		SQUARE NECK	
NOM. DUCT	C	NOM. DUCT	C
6 (152)	1 (25)	6 X 6 (152 X 152)	2 (51)
8 (203)	2 (51)	9 X 9 (229 X 229)	3 1/2 (89)
10 (254)	3 (76)	12 X 12 (305 X 305)	5 (127)
12 (305)	4 (102)	15 X 15 (381 X 381)	6 1/2 (165)
14 (356)	5 (127)	18 X 6 (457 X 152)	2 (51)
15 (381)	5 1/2 (140)	18 X 18 (457 X 457)	8 (203)

ALL METRIC DIMENSIONS () ARE SOFT CONVERTED. IMPERIAL DIMENSIONS ARE CONVERTED TO METRIC AND ROUNDED TO THE NEAREST MILLIMETER.

PROJECT:		PRICE®	
ENGINEER:			
CUSTOMER:		228731	SMD-FR MODULAR DIFFUSER FIRE RATED
SUBMITTAL DATE:	SPEC. SYMBOL:	2015/03/31	